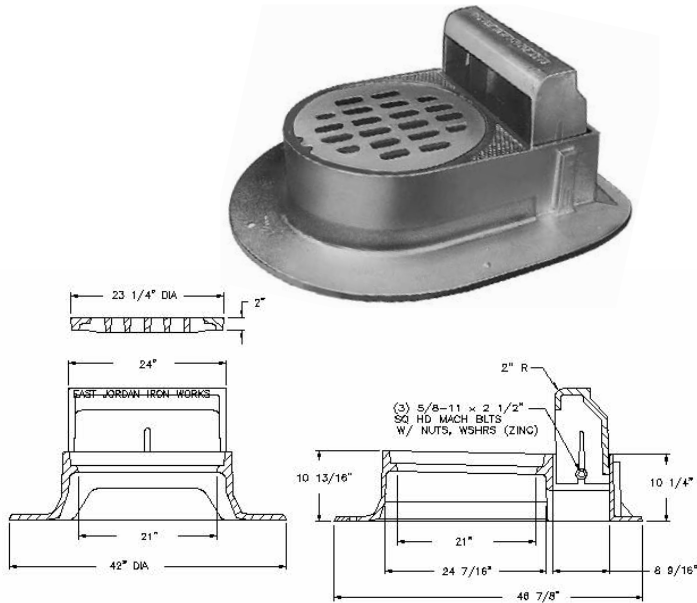


### 7380 CATCH BASIN CURB INLET

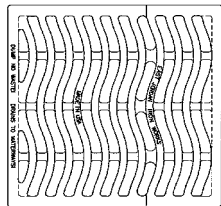
Heavy duty  
Approximate 160 sq. in. open area



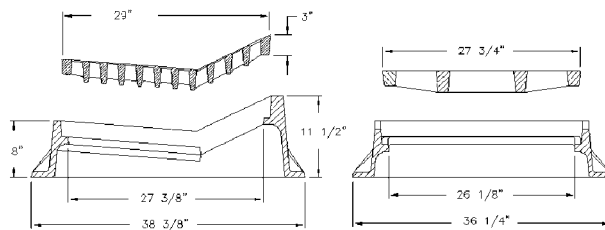
### 7390 CATCH BASIN CURB INLET

Heavy duty  
"DUMP NO WASTE!" with Type M2 grate  
Approximate 330 sq. in. open area

Options  
Round flange frame — 7395



**Type M3 "S" Grate**  
Approx. 340 sq. in.  
open area  
"DUMP NO WASTE!"  
lettering



### 7391 CATCH BASIN CURB INLET

Heavy duty  
Multiple 7390 curb inlet  
"DUMP NO WASTE!" with Type M2 grate  
Approximate 660 sq. in. open area

